

SUPER LOCK FORCE TOOLS™

HUCK's line of Super LockForce™ tools are designed for production volume installation of HUCK LockBolts™. Available in a choice of hydraulic or pneudraulic power, these tools have been proven both reliable and productive in thousands of manufacturing applications.

- Super LockForce™ 245** A high-speed pneudraulic production tool. Use with 1/4", 5/16" to some 3/8" diameter blind and LockBolt™ fasteners.
- Super LockForce™ 246** A high-speed pneudraulic production tool for all fasteners up to 3/8" diameter
- Super LockForce™ 2580** A lightweight hydraulic tool featuring both high speed performance and outstanding ergonomics. Powered by a HUCK POWERIG® Hydraulic Power System
- Super LockForce™ 2600** A compact, lightweight hydraulic production tool designed for limited clearance use. Powered by a HUCK POWERIG® Hydraulic Power System

Super LockForce 245

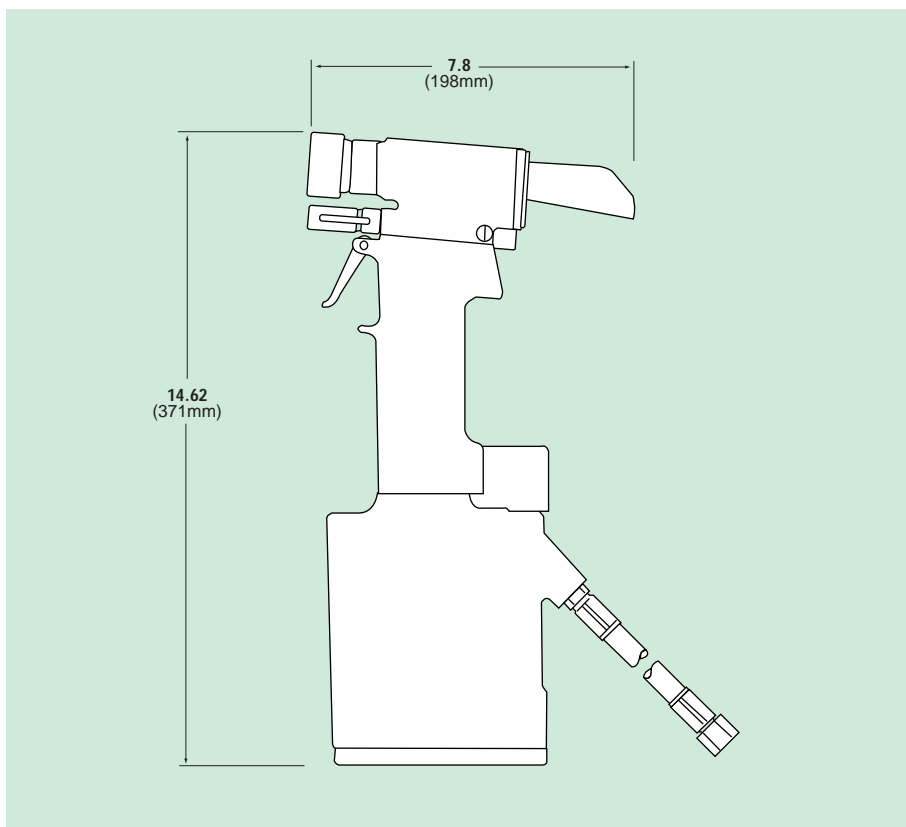
Pneudraulic Powered Installation Tool

Specifications

Weight:
9.3 lbs.

Stroke:
.88 in.

Required Air Pressure:
90-100 psi



Compatible Fastener

Type	Diameter	Nose Assembly
BOM	3/16	99-1053
	1/4	99-830-1
MAGNA-GRIP	3/16	99-3206
	1/4	99-3207
	5/16	99-1439
	3/8*	99-1440
FLOORTIGHT	5/16	99-3452

*Note: Aluminum Only



The Super LockForce 245 is sized for high-speed production applications, up to 20 fastener installations per minute. This tool provides optimum stroke for one-cycle installations, and features an eccentric pull piston for limited clearance applications. Chrome-plated piston rods in the Super LockForce 245 extend the life of the seals.

Super LockForce 246

Pneudraulic Installation Tool

Specifications

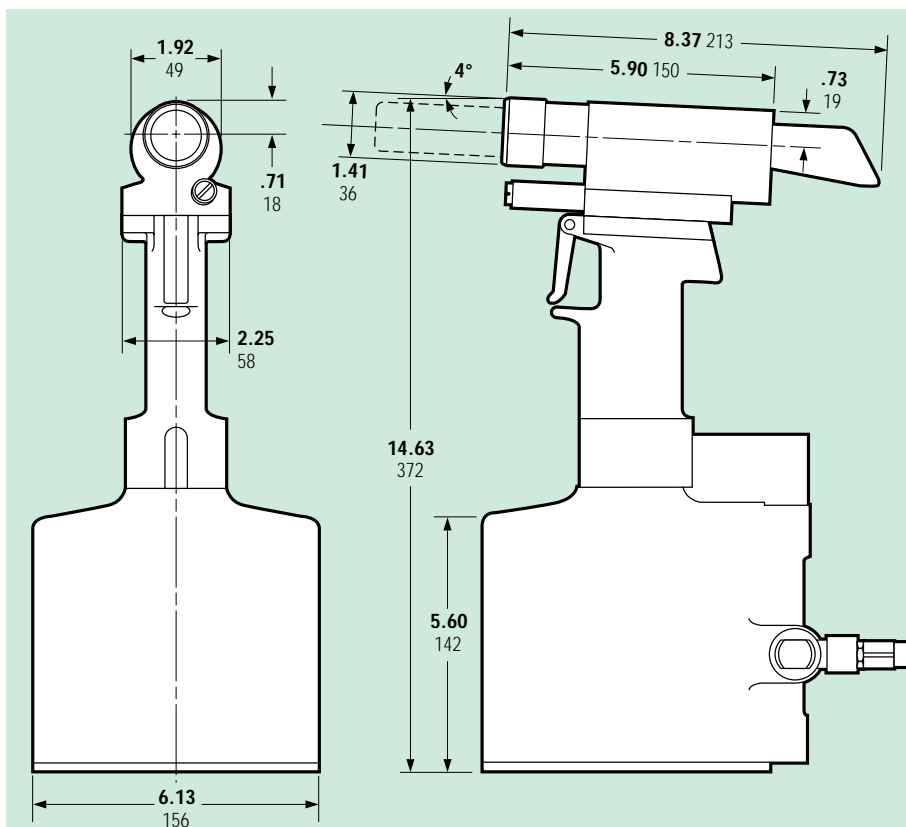
Weight:
12.30 lbs.

Required Air Pressure:
90-110 psi

Air Consumption:
30 CFM based on 18-20
fastener installations/minute

Hydraulic Fluid:
Automatic Transmission Fluid
DEXTRON II[®] or equivalent

Stroke:
.88 in.



Compatible Fastener

Type	Diameter	Nose Assembly
BOM	3/16	99-1053
	1/4	99-830-1
	5/16	99-769
MAGNA-LOK	3/8	99-3318
MAGNA-BULB	5/16	99-3307
HUCKTAINER	-12	99-3438
C6L	5/16	99-99-245
	3/8	99-100-245
MAGNA-GRIP	3/16	99-3206
	1/4	99-3207
	5/16	99-1439
	3/8	99-1440
FLOORTIGHT	5/16	99-3452



The high speed Super LockForce 246 production tool features optimum stroke for one-cycle installation and has an eccentric pull piston for limited clearance applications. Factory tested for 2,000 cycles, the Model 246 has chrome plated piston rods to extend the life of the seals.

Super LockForce 2580

Hydraulic Powered Installation Tool

Specifications

Weight:

5 lbs.

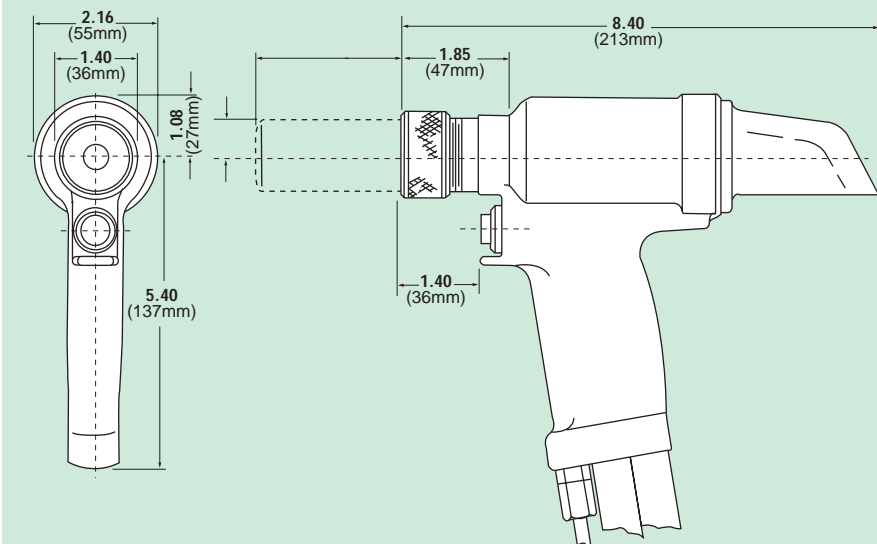
Stroke:

.94 in.

Pressure:

Pull-7,400 psi

Return-3,200 psi



Compatible Fastener

Type	Diameter	Nose Assembly
BOM	3/16	99-1053
	1/4	99-830-1
	5/16	99-769
C6L	5/16	99-99-245
	3/8	99-100-245
FLOORTIGHT	5/16	99-3452
HUCKTAINER	-12	99-3438
MAGNA-BULB	5/16	99-3307
MAGNA-GRIP	3/16	99-3206
	1/4	99-3207
	5/16	99-1439
	3/8	99-1440
MAGNA-LOK	3/8	99-3318



The Super LockForce 2580 is a lightweight tool for use in a wide range of high-speed production applications. With only one moving part, the tool provides for increased reliability and requires minimal maintenance. An offset piston design allows the Super LockForce 2580 to easily fit in limited clearance applications.

Super LockForce 2600

Hydraulic Powered Installation Tool

Specifications

Weight:

7.3 lbs.

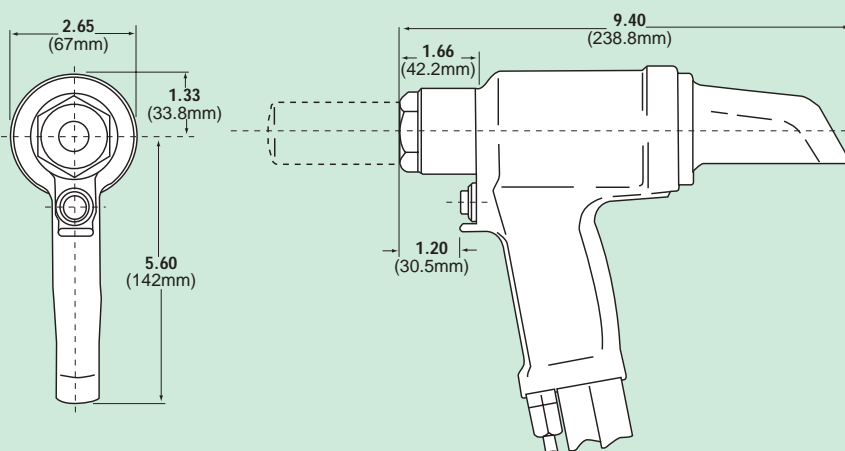
Stroke:

1.22 in.

Pressure:

Pull-5,700 psi

Return-2,800 psi



Compatible Fastener

Type	Diameter	Nose Assembly
BOM	5/16	99-3119
	3/8	99-3122
MAGNA-GRIP	5/16	99-3217
	3/8	99-3220



The Model 2600 is a lightweight and versatile installation tool designed use with a wide range of HUCK blind fasteners and HuckBolt fasteners. The tool's compact size allows it to fit into limited clearance applications, while its light weight provides for outstanding operator productivity.